

COMMERCIAL TREATER



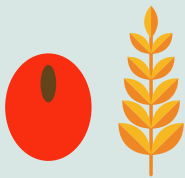
COMMERCIAL HIGH-CAPACITY TREATER

For fast, high-capacity operations, the CTHC seed treater always delivers. Weigh belt technology and peristaltic pumps ensure maximum accuracy with continued monitoring and automated adjustments.

And it's innovative nebulizer chamber thins seed flow to a single column—resulting in 360-degree coverage.

BENEFITS OF CTHC TREATER

FLEXIBLE



Works for cereals or soybeans.
Holds 54 bushels.

EASY



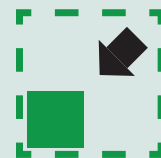
Automated pump stands & touch screen make operating and reporting easier than pie.

ACCURATE



Seed flow metering and innovative atomizer and nebulizer technology make for precision treating.

COMPACT



Smaller size and portability make moving and storing it a breeze.

STANDARD EQUIPMENT

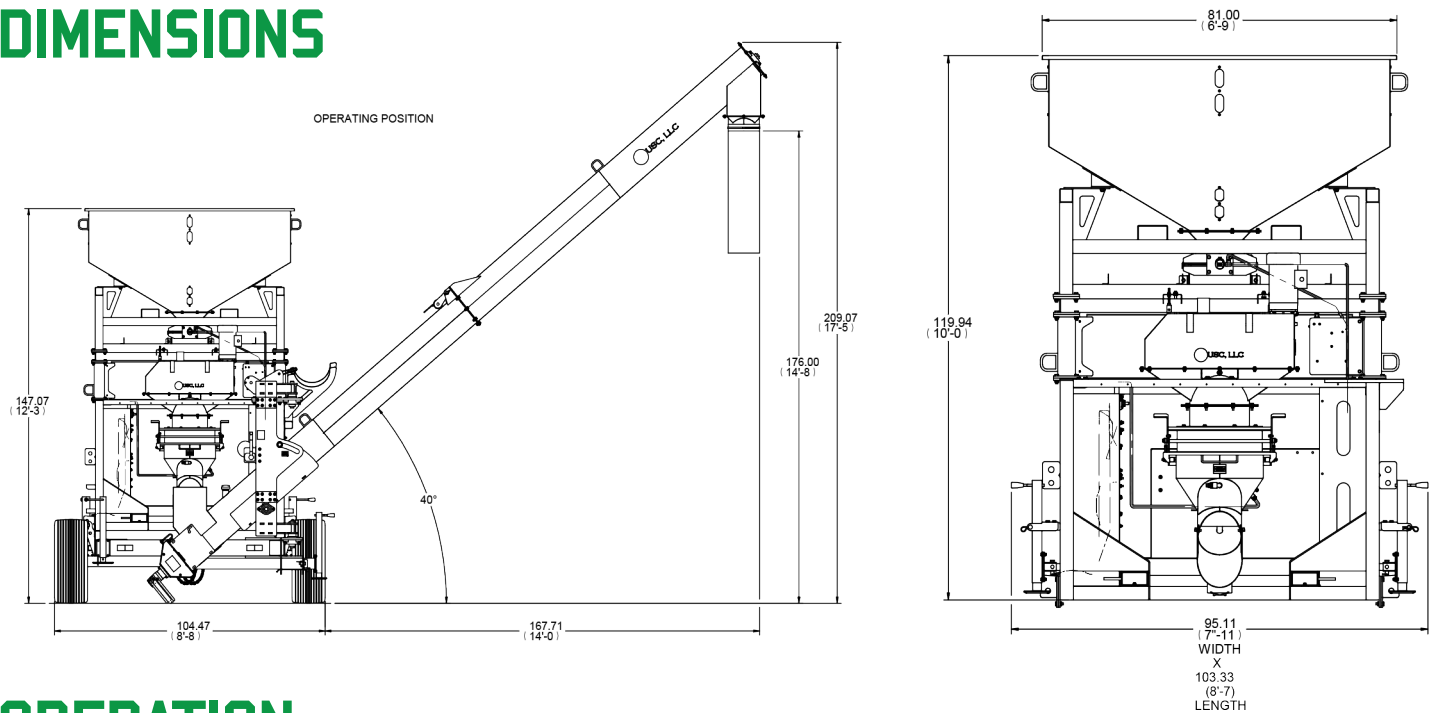
- Stainless steel atomizer chamber
- 2 automated pump stands with volumetric flow meters
- One 54-bushel hopper
- Liquid containment pan
- High-capacity weigh belt
- 4 jack stands
- 2 aux ports for accessories
- Standard & metric capabilities



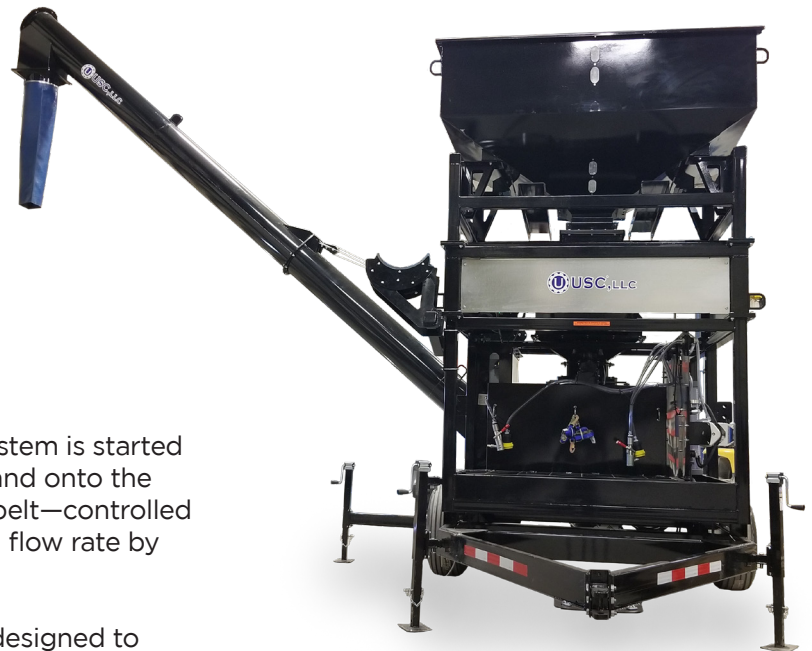
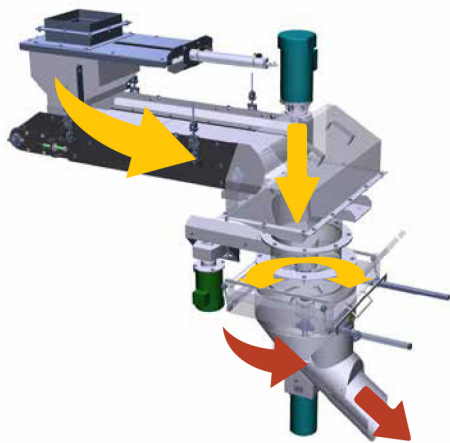
888.402.4787 | [UnifiedAgSolutions.com](https://www.UnifiedAgSolutions.com)

COMMERCIAL TREATER

DIMENSIONS



OPERATION



Seed is staged into the holding hopper. When the system is started via the automation, seed flows through the air gate and onto the weigh belt. Using the weight of the seed, the weigh belt—controlled by the automaton—meters to the customer's desired flow rate by changing the speed of the belt.

Seed then drops into the nebulizer. This chamber is designed to thin the seed into a single-seed-wide column. This column flows through the atomizer chamber, where it is combined with metered chemistry. The seed now has chemistry applied and will discharge into an auger to be coated.

- OPTIONAL:**
- TRAILER WITH AUGER
 - AIR COMPRESSOR KIT
 - TABLET KIT